

☆ *amt* ☆ TBF-1 AVENGER ☆

UNITED STATES NAVY ☆ WWII TORPEDO BOMBER ☆

IMPORTANT!
READ THESE INSTRUCTIONS FIRST

GENERAL ASSEMBLY: This highly-detailed kit features precision-tooled parts for ease of assembly. Care and patience must be exercised to achieve optimal results.

GLUE ASSEMBLY: It is recommended that the instructions be examined carefully before applying cement. You will find this very helpful, as it will allow you to gain a clear understanding of how the parts fit together in order to best plan painting and final assembly.

SUB-ASSEMBLIES: Note that this kit is intended to be built in sub-assemblies. This makes building the kit far more manageable. It is very important to note that it can be extremely advantageous to apply paint and decals to sub-assemblies before completing final assembly.

DECALS & PAINT: This kit includes water slide decals. These decals are compatible with setting solution which can be applied to conform around surface details. See illustration on box and tray diagrams for decal placement. For best results apply clear coat for final finish.

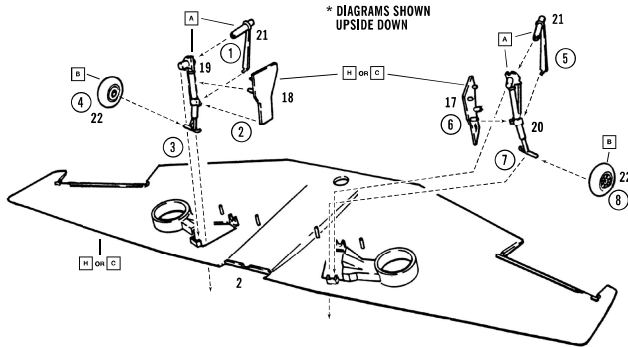
- | | | | |
|----|----------------------|---|------------------|
| ① | STEP NUMBERS | ☒ | CEMENT HERE ONLY |
| 48 | PLASTIC PART NUMBERS | ⊗ | DO NOT CEMENT |

PAINTING GUIDE

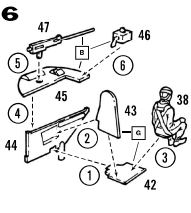
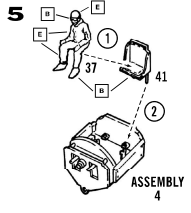
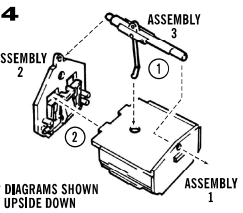
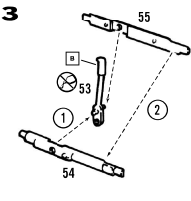
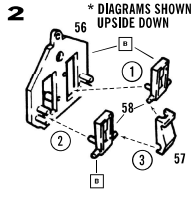
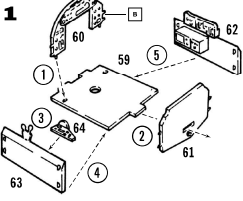
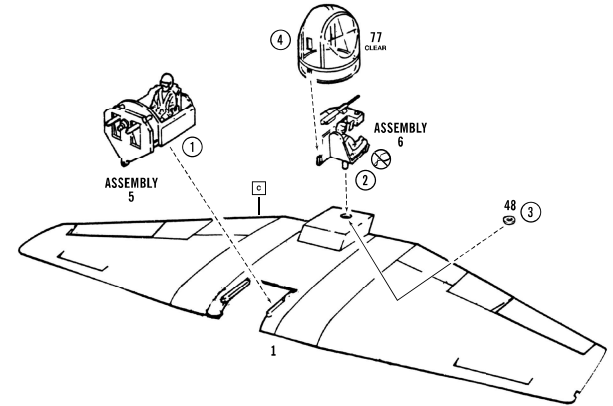
A	WHITE	E	SAND
B	BLACK	F	RED
C	BLUE	G	BLUE GRAY
D	LIGHT GRAY	H	ALUMINUM

AMT and design and Round 2 are trademarks of Round 2, LLC. ©2023 Round 2, LLC, South Bend, IN 46628 USA. Product and packaging designed in the USA. Proudly made in USA. Decals made in China. All rights reserved.

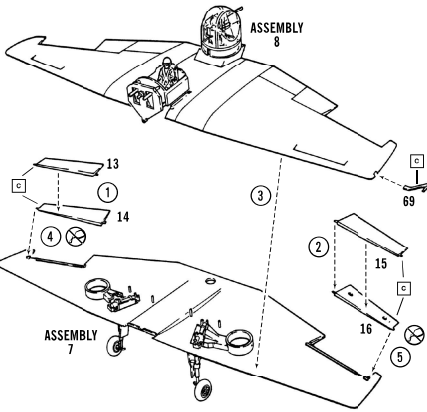
7



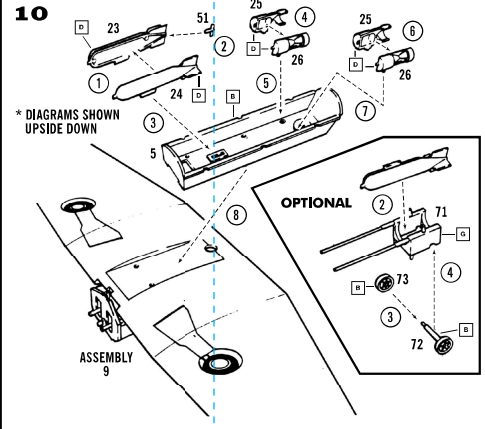
8



9



10



11

