

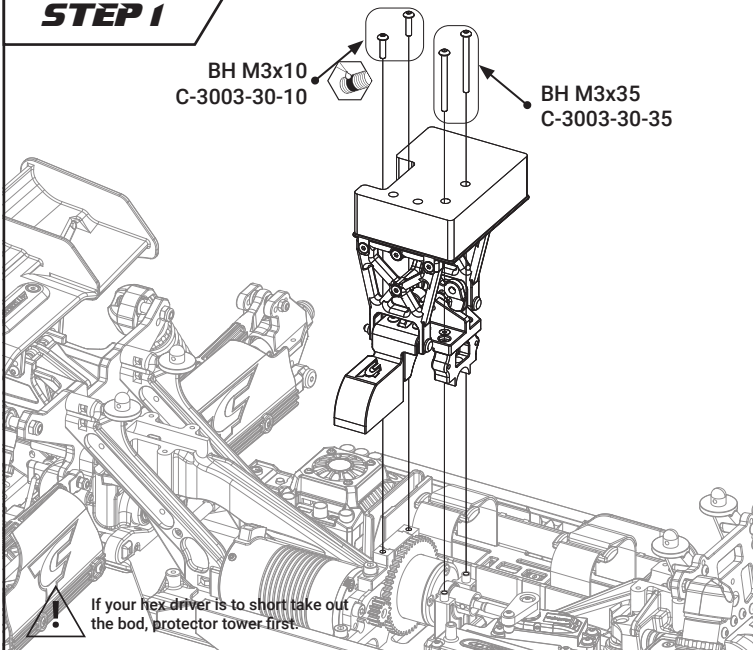
Required Tools:

- 2.0 Hex Driver
- 2.5 Hex Driver
- 3.0 Hex Driver
- Thread-locker

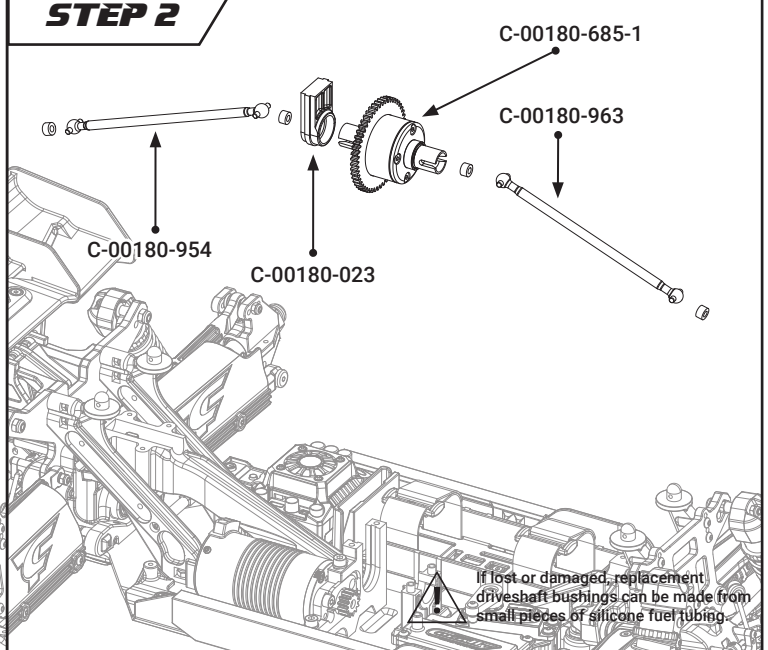
Finish Before:

- Tube Braces - Tubes (Step 1 and 2)

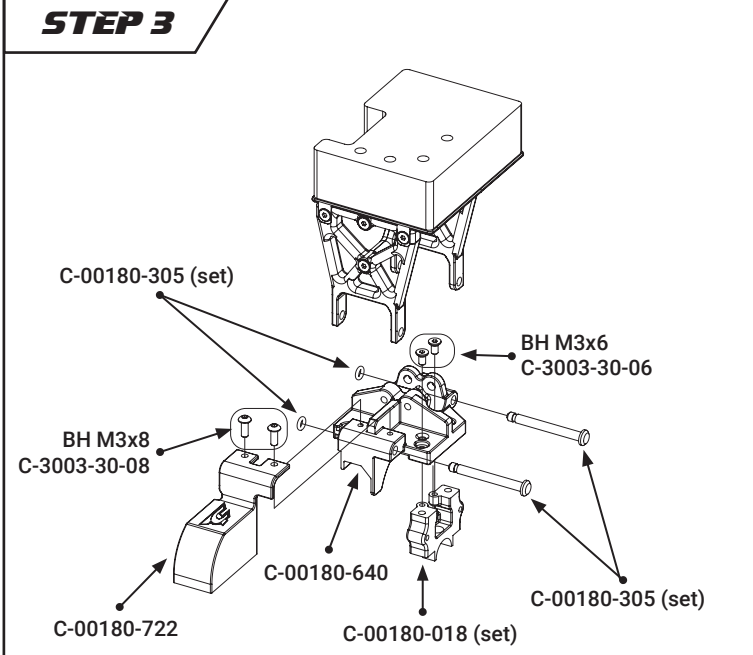
STEP 1



STEP 2



STEP 3



STEP 4

