



AMT1443



STAR TREK

Adversaries and Allies Set Glue-Together Model Kit

ASSEMBLY INSTRUCTIONS

GENERAL ASSEMBLY

This highly-detailed kit features precision-tooled parts for ease of assembly. Care and patience must be exercised to achieve optimal results. It is recommended that the instructions be examined carefully before applying cement. You will find this very helpful, as it will allow you to gain a clear understanding of how the parts fit together in order to best plan painting and final assembly.

SUB-ASSEMBLIES

Note that this kit is intended to be built in sub-assemblies. This makes building the kit far more manageable. It is very important to note that it can be extremely advantageous to apply paint and decals to sub-assemblies before completing final assembly.

DECALS & PAINT

This kit includes water slide decals. These decals are compatible with setting solution which can be applied to conform around surface details. See the diagrams on the sides of the box bottom regarding decal placement

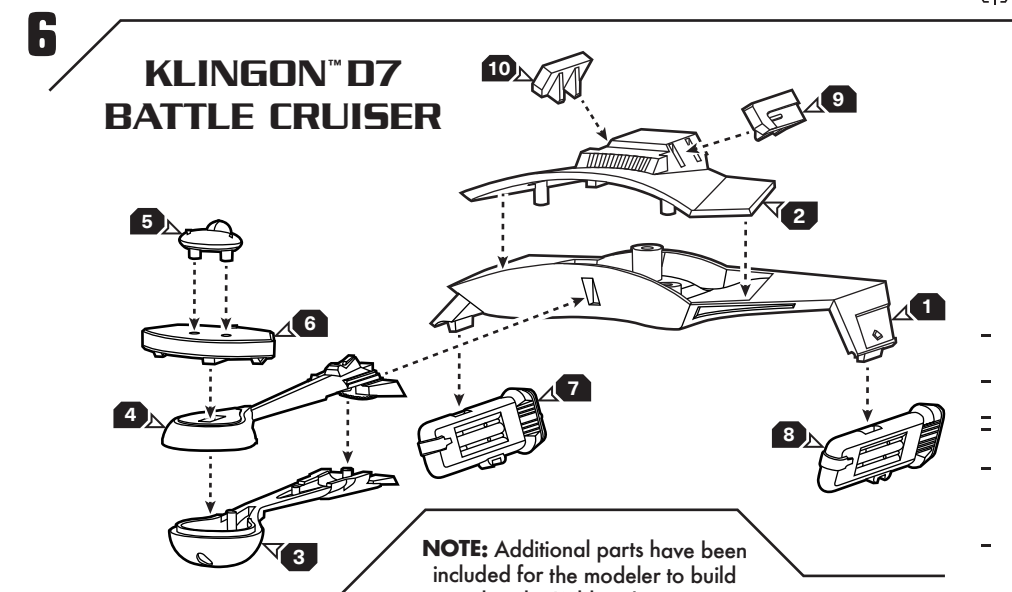
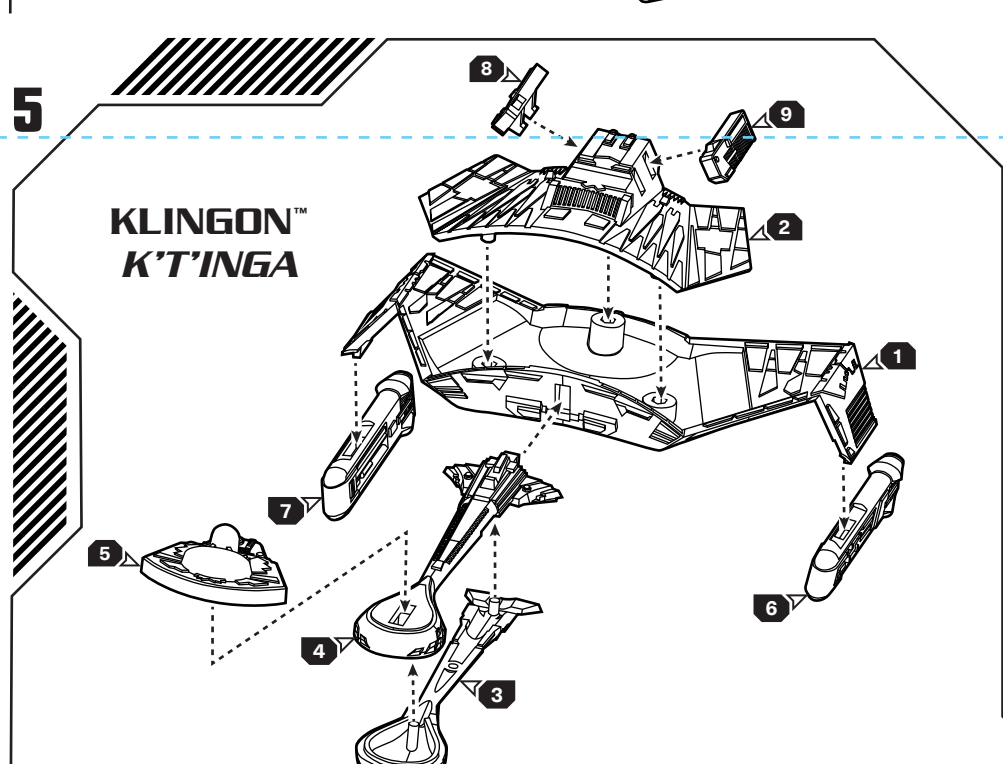
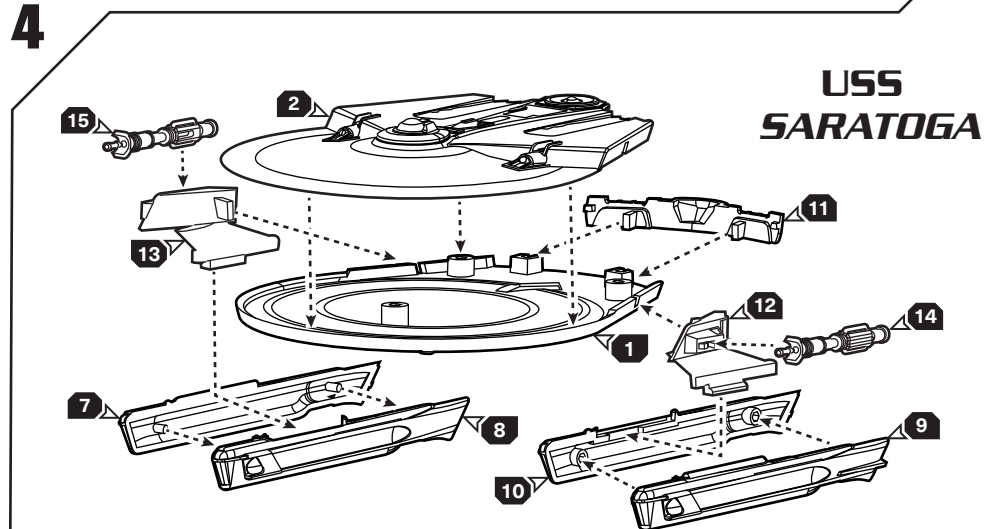
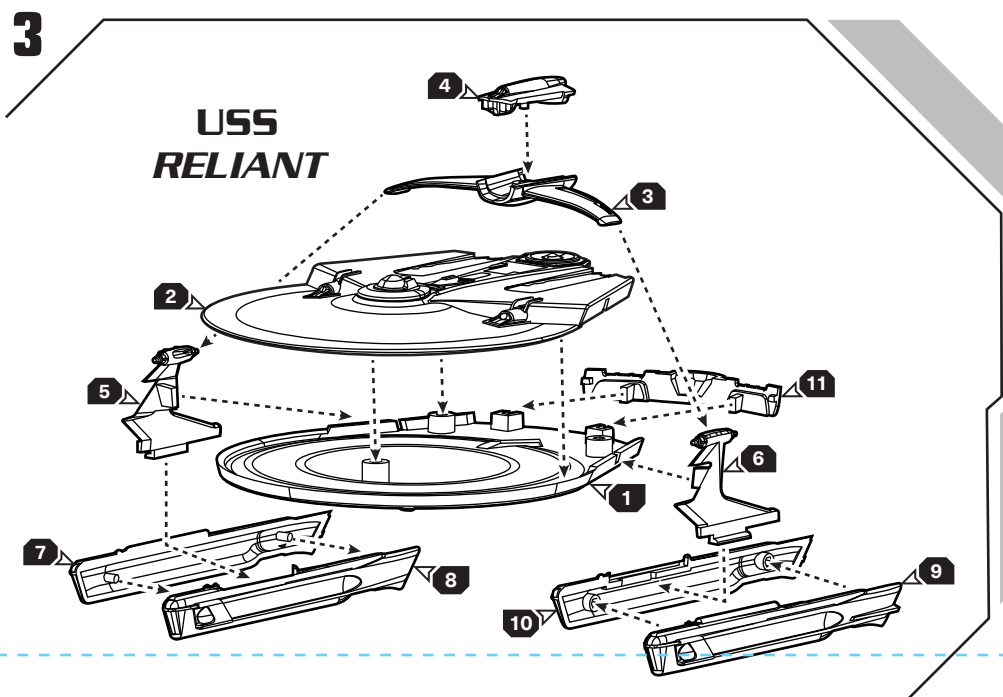
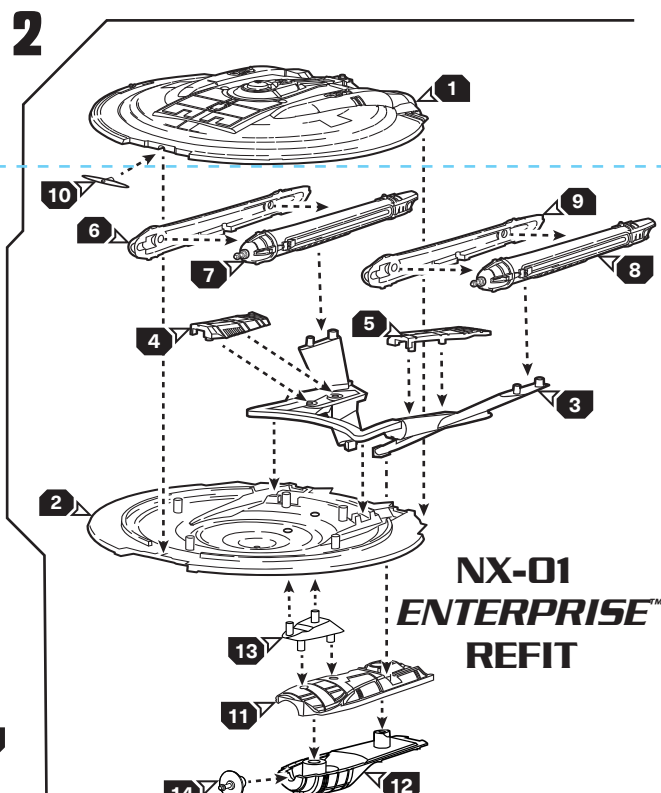
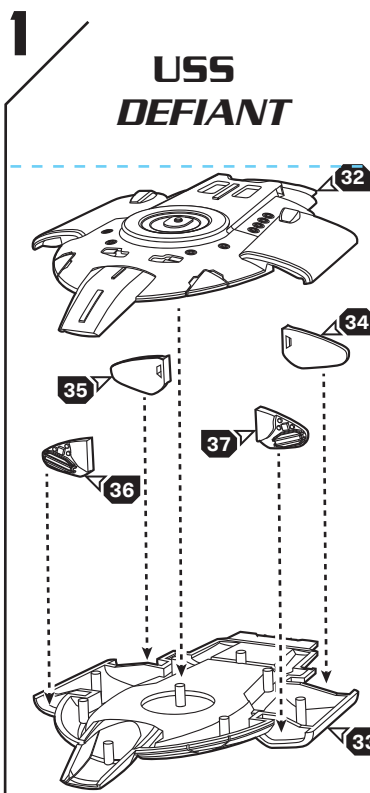
and paint specs. For best results apply dull coat for final finish.

- Cut decals apart close to image. Apply one at a time.
- Dip decal into 68°-72°F water until paper backing loosens.
- Moisten area of model where decal is to be applied, to aid in positioning.
- Slide decal partly off of paper backing.
- Place decal on model face up and slide paper backing away.

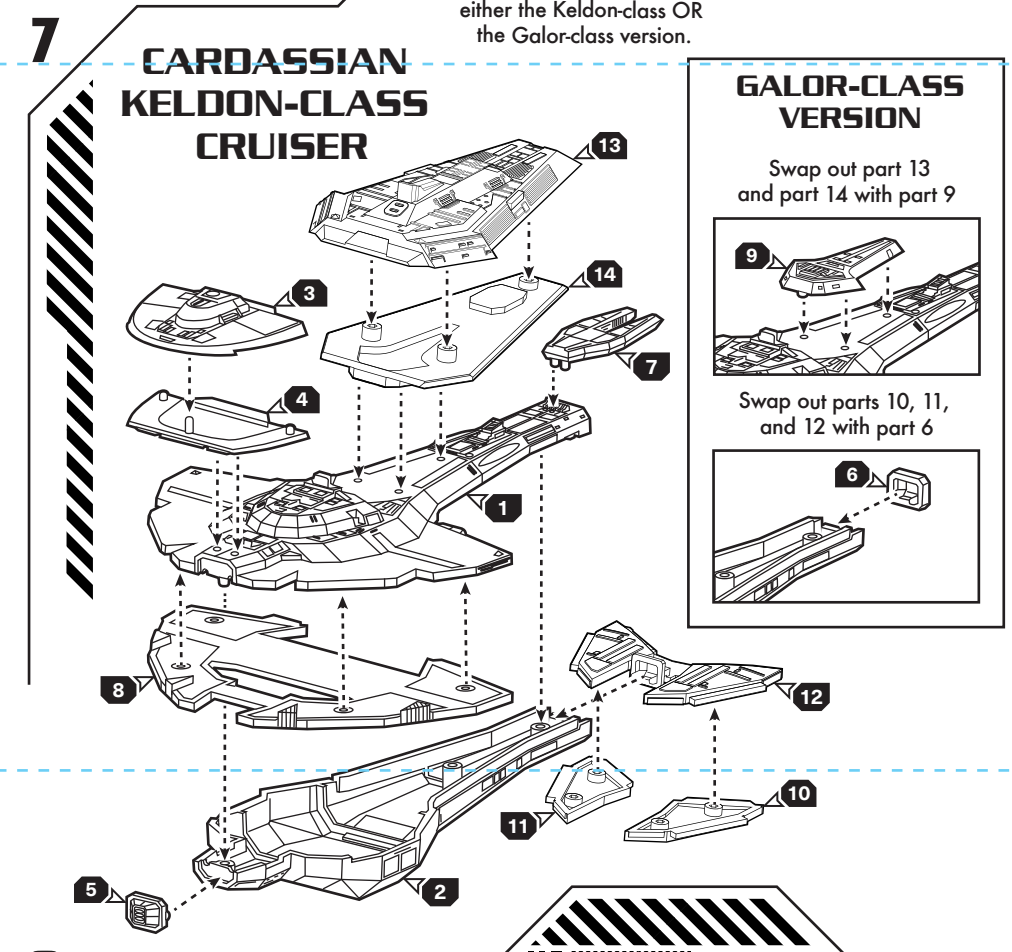
Thoroughly blot out excess water, air bubbles, and any excess emulsion with soft, lint-free cloth. Allow time to dry before handling. If air bubbles or wrinkles form on an irregular or curved surface, cut decal and press into place.

SYMBOLS • SYMBOLES

1	1	100
Step Number	Part Number	Clear Part Number



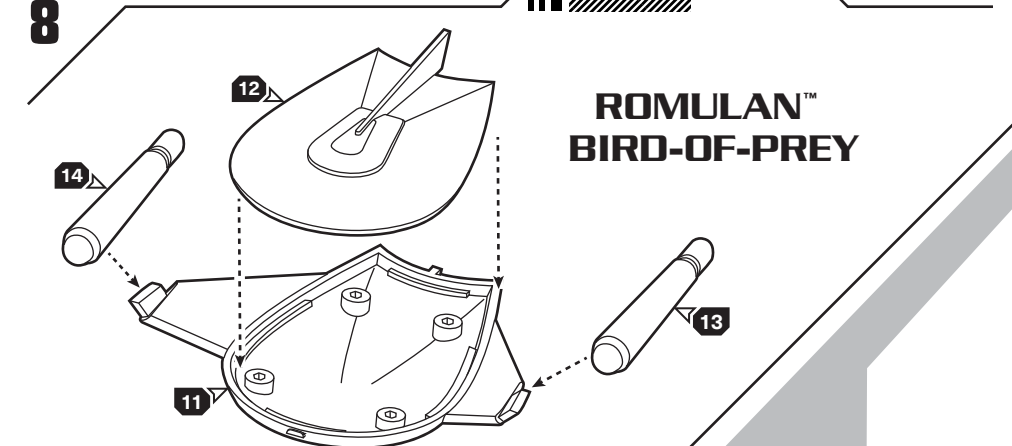
NOTE: Additional parts have been included for the modeler to build either the Keldon-class OR the Galor-class version.



GALOR-CLASS VERSION

Swap out part 13 and part 14 with part 9

Swap out parts 10, 11, and 12 with part 6



Paint & Decal Instructions

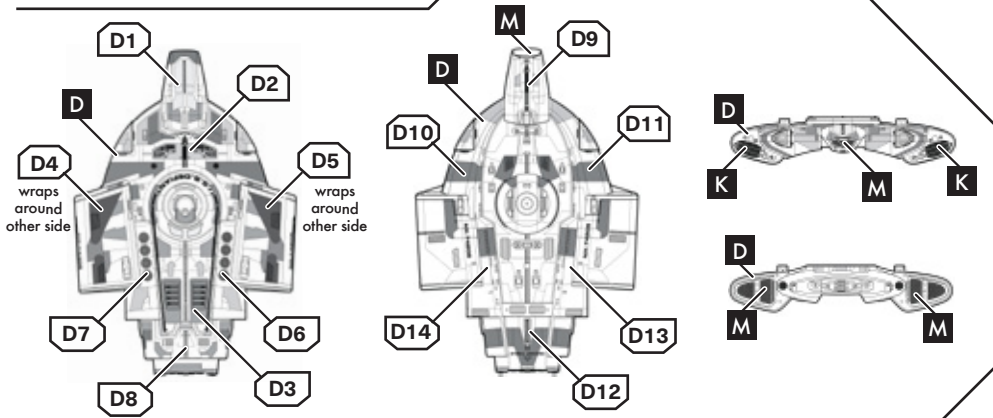
KEY TO SYMBOLS



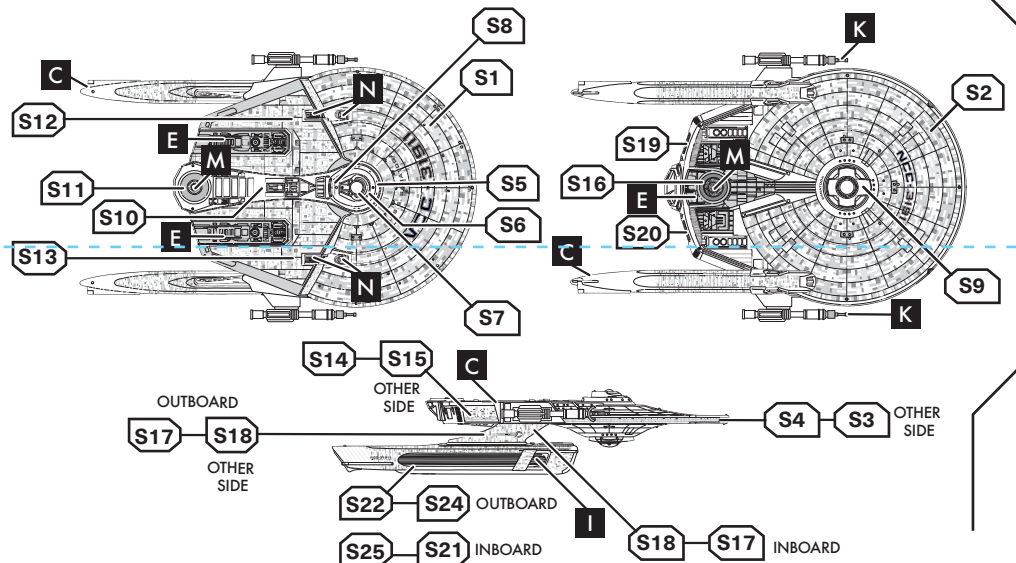
- | | | |
|----------------------|-----------------|----------------------|
| A White | G Brown | M Bright Blue |
| B Pearl White | H Gold | N Medium Blue |
| C Light Cream | I Copper | O Light Green |
| D Light Gray | J Amber | P Olive Green |
| E Medium Gray | K Red | Q Dark Olive |
| F Silver | L Orange | R Gray/Purple |

Suggested Paint Colors

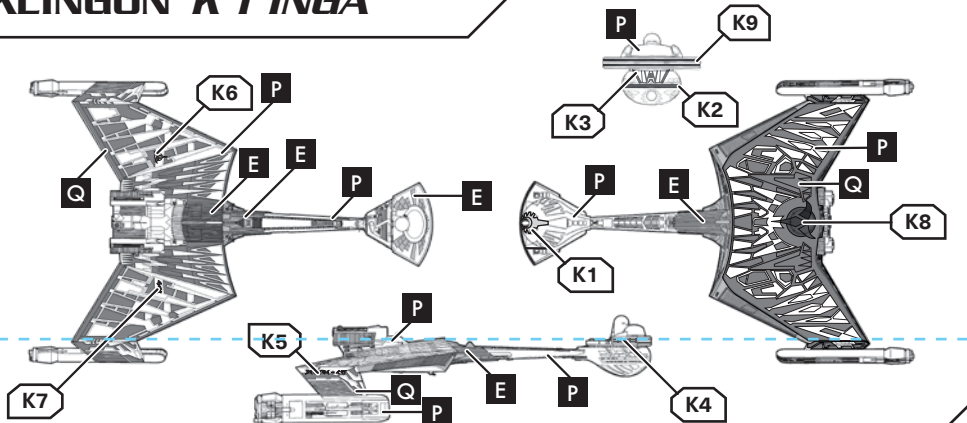
USS *DEFIANT*



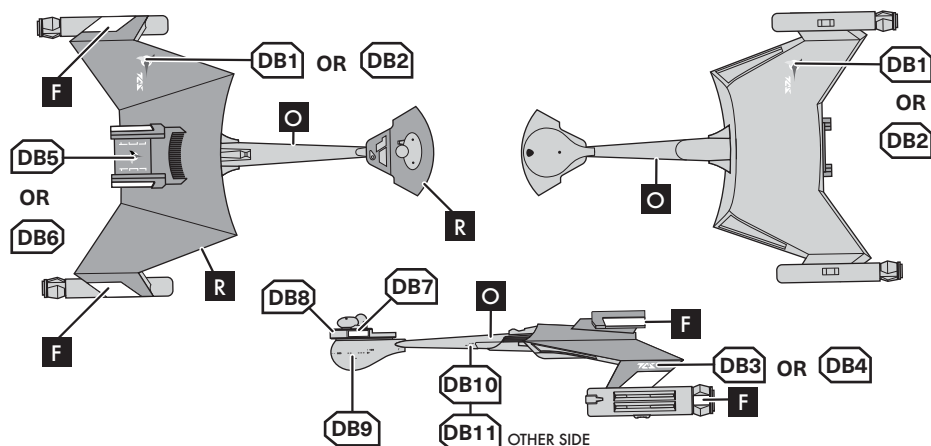
USS *SARATOGA*



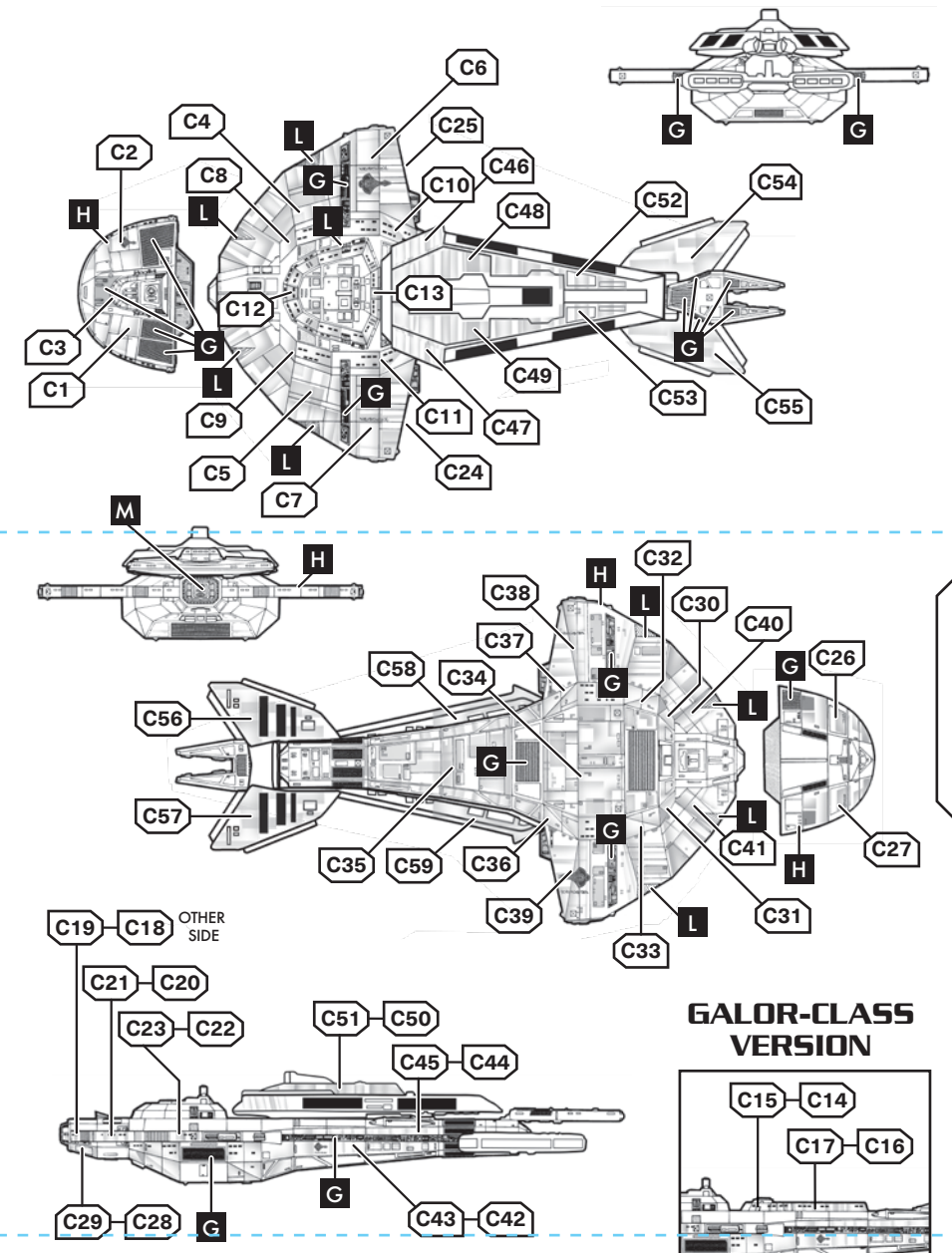
KLINGON™ *K'T'INGA*



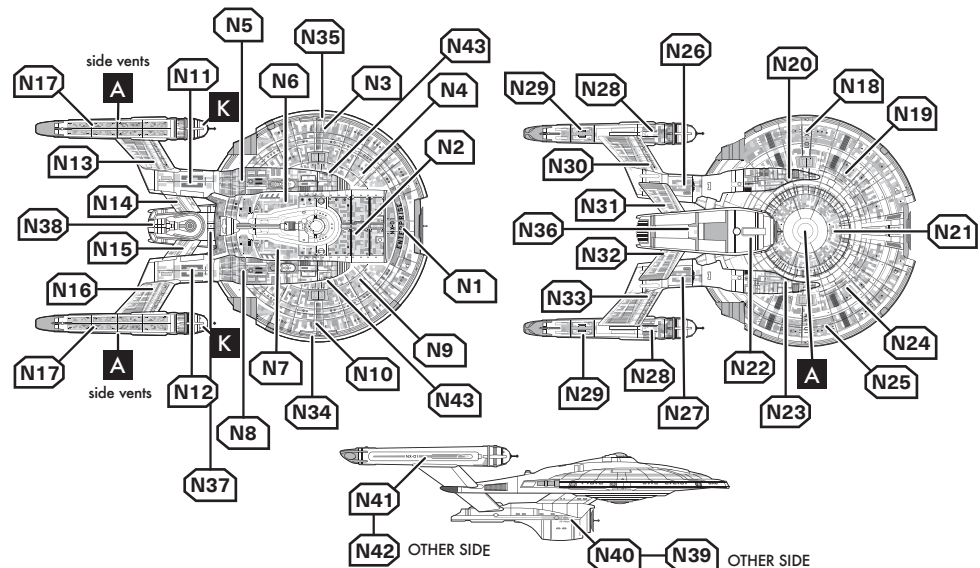
KLINGON™ *D7 BATTLE CRUISER*



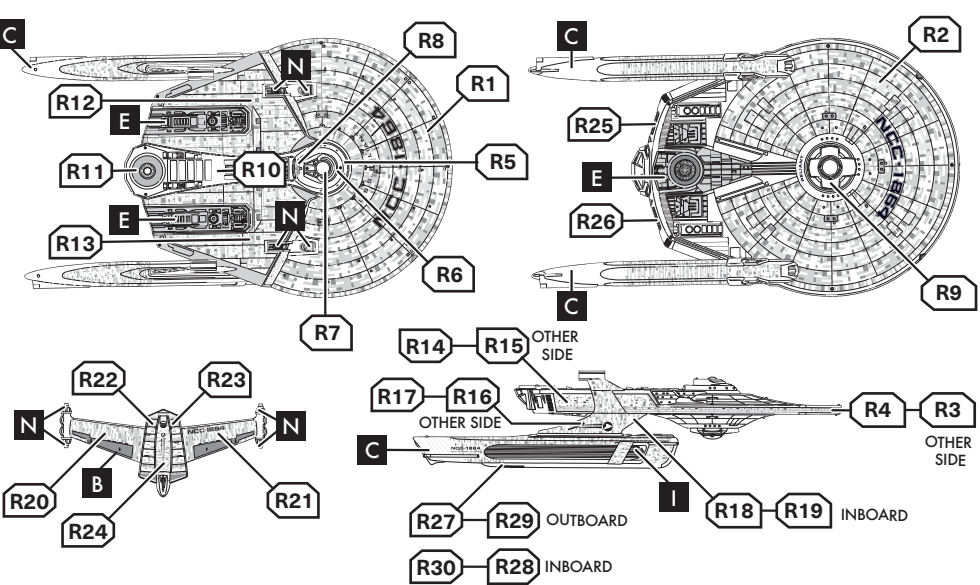
CARDASSIAN *KELDON-CLASS CRUISER*



NX-01 *ENTERPRISE™ REFIT*



USS *RELIANT*



ROMULAN™ *BIRD-OF-PREY*

